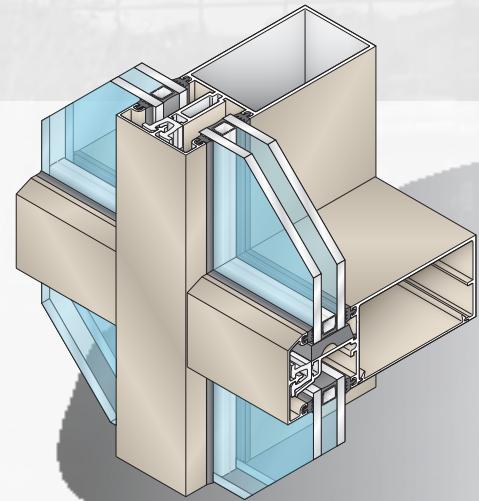


# CURTAIN WALLS

## SERIES 4500 & 4525 CURTAIN WALL

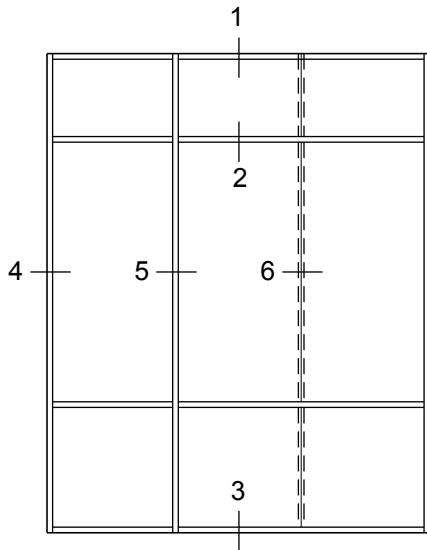


- 2-1/4" (57 mm) Face Dimension
- 1" (25 mm) Glazing (Series 4500)
- 1/4" (6 mm) Glazing (Series 4525)
- Exterior Glazed
- Injection Molded Water Deflectors
- Thermally Broken
- Stick or Panel Installed
- Shear Block or Screw Spline Assembly
- No Exposed Fasteners



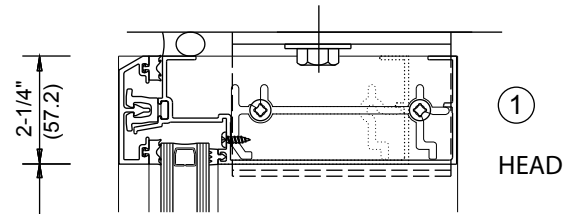
The Series 4500 Curtain Wall features pressure relieved horizontals with a unique, integral UNIFlash™ System to literally sweep infiltrated water to the exterior. Exterior and interior members are internally joined with a non-conductive injection molded thermoplastic connector, providing total thermal isolation which allows superior thermal performance. Two-tone colors can be achieved by specifying different finishes for exterior face members and interior mullions. The system features either stick or panel type erection with no exposed joint fasteners. The Series 4525 Curtain Wall is for applications with 1/4" (6 mm) infills.

# SERIES 4500 TYPICAL DETAILS

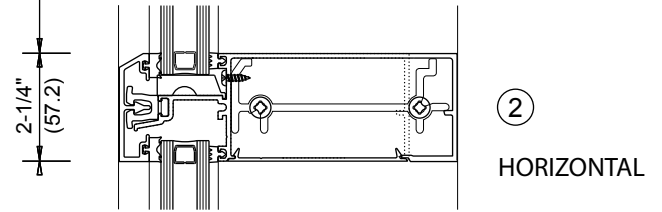


TYPICAL ELEVATION

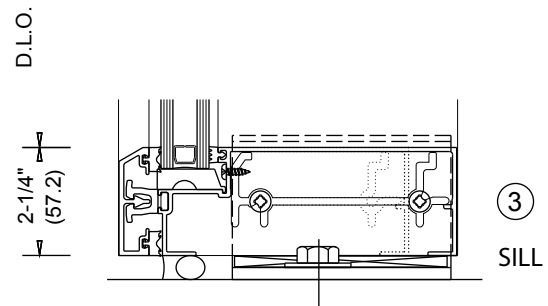
For Specifications, Details, and Testing Data go to [usalum.com](http://usalum.com).



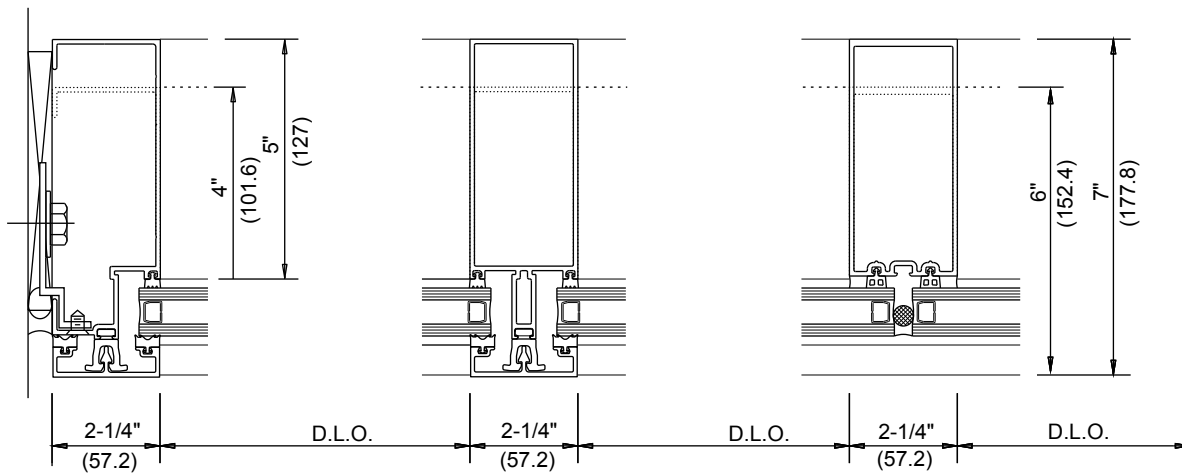
①  
HEAD



②  
HORIZONTAL



③  
SILL



④  
JAMB

⑤  
VERTICAL

⑥  
BUTT GLAZED VERTICAL

NOT TO SCALE